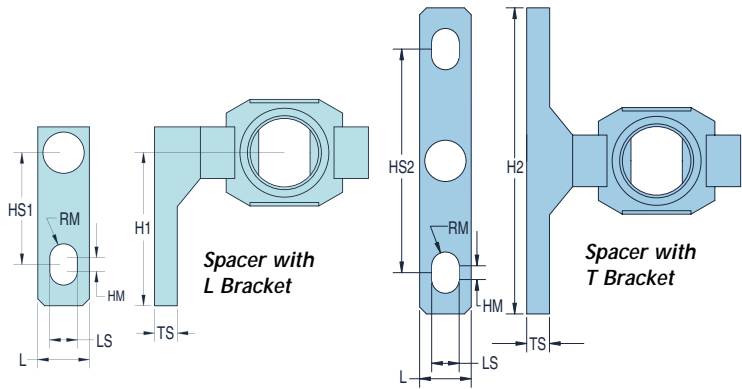
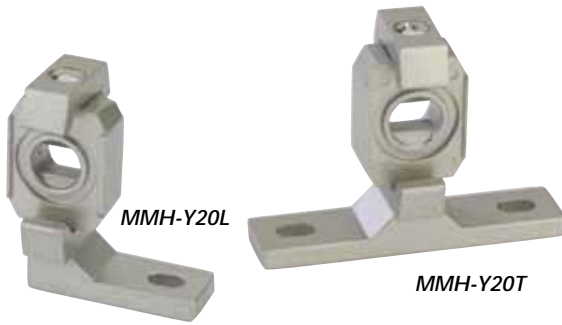




NEW! MAXIMATIC® MOUNTING HARDWARE



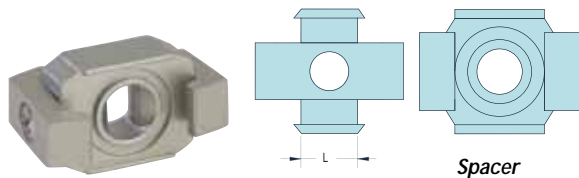
Mounting Hardware for Combination Units

To convert individual Filter, Regulator and Lubricators into combination units. Seals included.

FRL Series	Spacer with L Bracket	Spacer with T Bracket	Dim.	MMH-Y10L MMH-Y10T	MMH-Y20L MMH-Y20T	MMH-Y30L MMH-Y30T	MMH-Y40L MMH-Y40T	MMH-Y50L MMH-Y50T	MMH-Y60L MMH-Y60T
FRL-1	MMH-Y10L	MMH-Y10T	L	0.47 (12.0)	0.59 (15.0)	0.63 (16.0)	0.87 (22.0)	0.87 (22.0)	0.91 (23.0)
FRL-2	MMH-Y20L	MMH-Y20T	LS	0.18 (4.5)	0.22 (5.5)	0.28 (7.0)	0.35 (9.0)	0.35 (9.0)	0.47 (12.0)
FRL-3	MMH-Y30L	MMH-Y30T	HM	0.12 (3.0)	0.12 (3.0)	0.16 (4.0)	0.16 (4.0)	0.16 (4.0)	0.16 (4.0)
FRL-4W/4Z	MMH-Y40L	MMH-Y40T	TS	0.20 (5.0)	0.20 (5.0)	0.28 (7.0)	0.28 (7.0)	0.28 (7.0)	0.41 (10.5)
FRL-4A	MMH-Y50L	MMH-Y50T	RM	0.09 (2.3)	0.11 (2.8)	0.14 (3.5)	0.18 (4.5)	0.18 (4.5)	0.24 (6.0)
FRL-5	MMH-Y60L	MMH-Y60T	H1	1.06 (27.0)	1.30 (33.0)	1.77 (45.0)	1.97 (50.0)	1.97 (50.0)	2.48 (63.0)
			HS1	0.79 (20.0)	0.94 (24.0)	1.38 (35.0)	1.57 (40.0)	1.57 (40.0)	1.97 (50.0)
			H2	2.13 (54.0)	2.60 (66.0)	3.54 (90.0)	3.94 (100.0)	3.94 (100.0)	4.96 (126.0)
			HS2	1.57 (40.0)	1.89 (48.0)	2.76 (70.0)	3.15 (80.0)	3.15 (80.0)	3.94 (100.0)

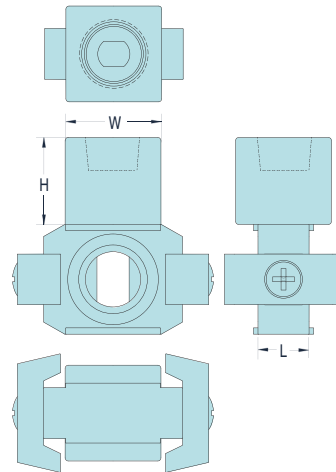
Spacers

To convert individual Filter, Regulator and Lubricators into combination units without mounting brackets. Seals included.



Series	Part No.	"L" Dimension
FRL-1	MMH-Y10	0.32 (8.1)
FRL-2	MMH-Y20	0.41 (10.4)
FRL-3	MMH-Y30	0.44 (11.2)
FRL-4W/4Z	MMH-Y40	0.55 (14.0)
FRL-4A	MMH-Y50	0.57 (14.5)
FRL-5	MMH-Y60	0.61 (15.5)

MAXIMUM
Value. →
→ Performance.



Spacers with Auxiliary Port

Provides parallel port between components.



MMH-Y21-N01

FRL Series	Spacer with Port	Spacer with L Bracket & Port	Spacer with T Bracket & Port	L	Dimension H	W
FRL-2	MMH-Y21-N01 (1/8")	MMH-Y21L-N01 (1/8")	MMH-Y21T-N01 (1/8")	0.41 (10.4)	0.69 (17.5)	0.76 (19.3)
	MMH-Y21-N02 (1/4")	MMH-Y21L-N02 (1/4")	MMH-Y21T-N02 (1/4")	0.41 (10.4)	0.69 (17.5)	0.76 (19.3)
FRL-3	MMH-Y31-N01 (1/8")	MMH-Y31L-N01 (1/8")	MMH-Y31T-N01 (1/8")	0.44 (11.2)	0.64 (16.3)	0.75 (19.1)
	MMH-Y31-N02 (1/4")	MMH-Y31L-N02 (1/4")	MMH-Y31T-N02 (1/4")	0.44 (11.2)	0.64 (16.3)	0.75 (19.1)
FRL-4W/4Z	MMH-Y41-N02 (1/4")	MMH-Y41L-N02 (1/4")	MMH-Y41T-N02 (1/4")	0.55 (14.0)	0.71 (18.0)	0.94 (23.9)
	MMH-Y41-N03 (3/8")	MMH-Y41L-N03 (3/8")	MMH-Y41T-N03 (3/8")	0.55 (14.0)	0.71 (18.0)	0.94 (23.9)
FRL-5	MMH-Y61-N03 (3/8")	MMH-Y61L-N03 (3/8")	MMH-Y61T-N03 (3/8")	0.61 (15.5)	0.79 (20.1)	1.18 (30.0)
	MMH-Y61-N04 (1/2")	MMH-Y61L-N04 (1/2")	MMH-Y61T-N04 (1/2")	0.61 (15.5)	0.79 (20.1)	1.18 (30.0)